

AGU[®] ADVANCED
GROWING
UP



Minimill

NEBULIZER
MESH

agu-baby.com



AGU[®] is the registered trademark by Montex Swiss AG,
Tramstrasse 16, CH-9442, Berneck, Switzerland

AGU[®] ADVANCED
GROWING
UP



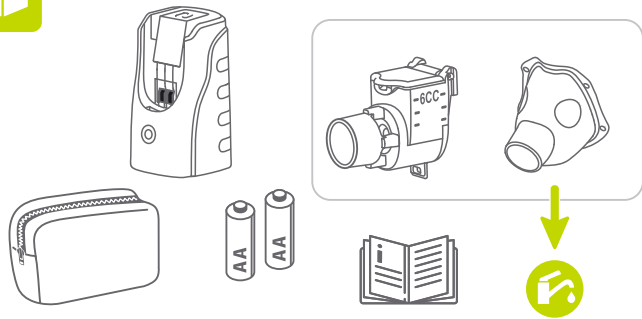
Minimill

NEBULIZER
MESH

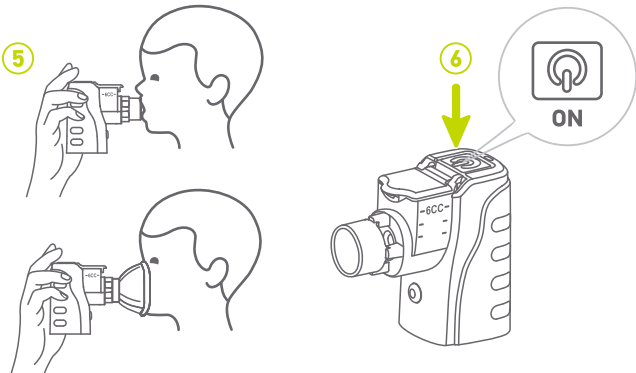
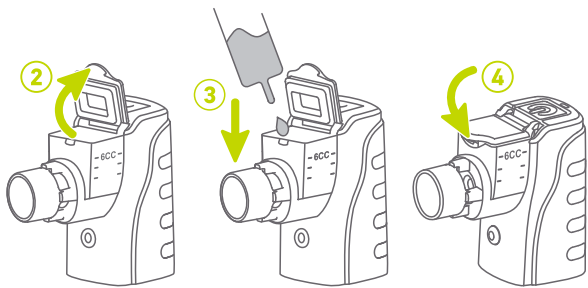
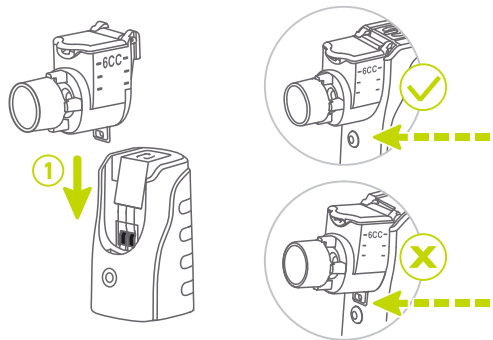
agu-baby.com

swissdesign

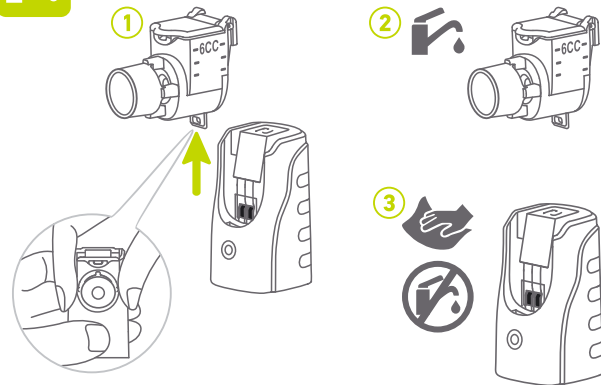
1



2



3



4

