

AGU® ADVANCED GROWING UP



agu-baby.com

AGU® ADVANCED GROWING UP



AGU® is the registered trademark by Montex Swiss AG,
Tramstrasse 16, CH-9442, Berneck, Switzerland

AGU® ADVANCED GROWING UP



AGU® ADVANCED GROWING UP

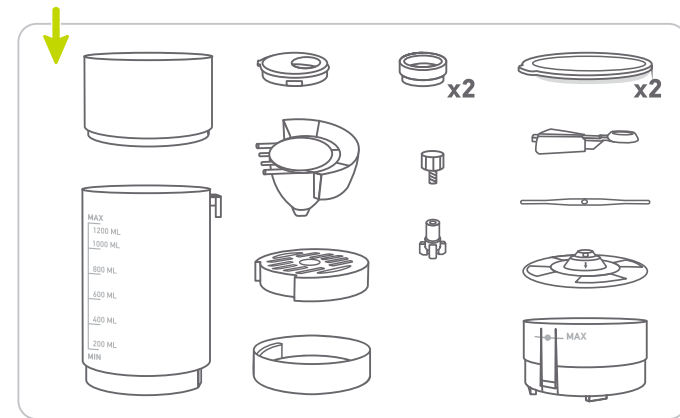
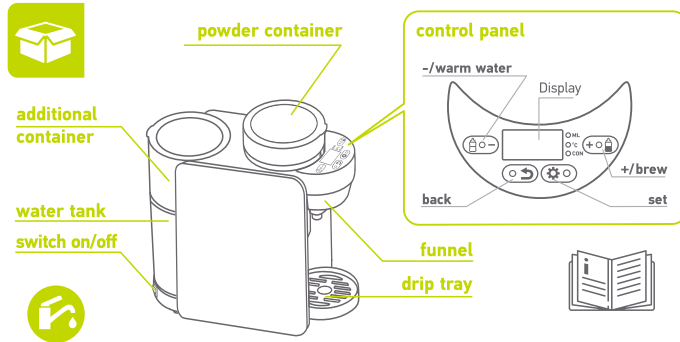
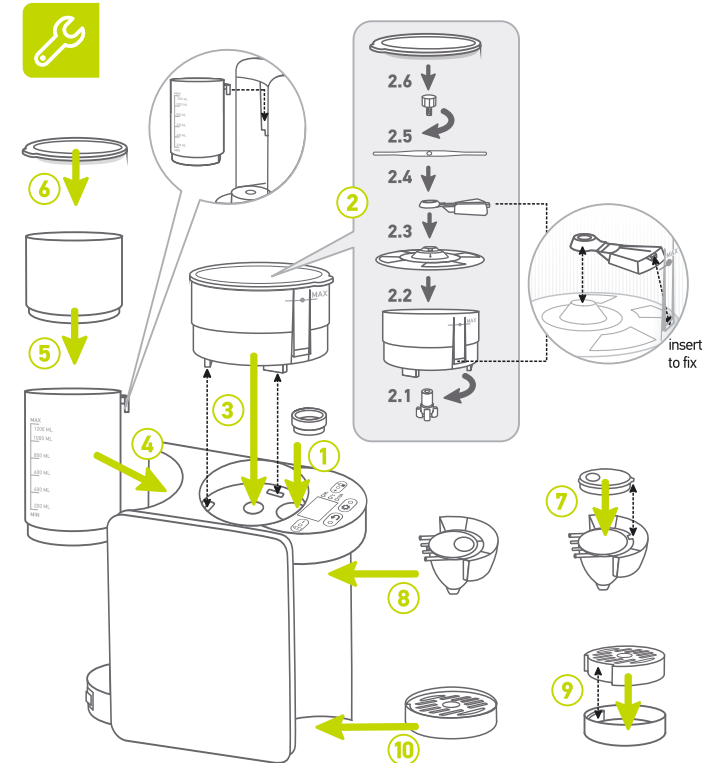
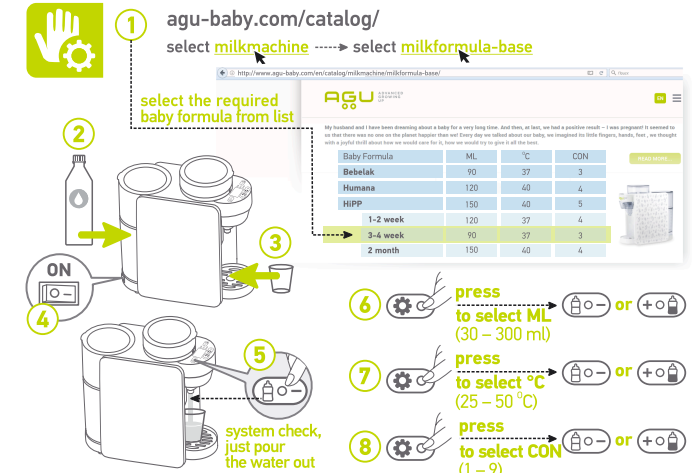
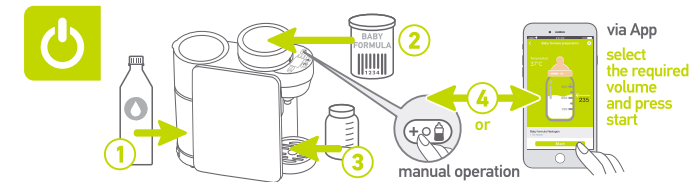


Häppi shaker

PREPARING MACHINE
FOR BABY FORMULA

agu-baby.com

swissdesign

1**2****3****New baby formula setup (via App)****NEW baby formula = NEW settings****4****New baby formula setup (manual operation)****5 Preparing baby formula**

Use ONLY room temperature boiled water.
Do not add water warmer than 45 °C. Do not add unboiled water.